

Accessories & Replacement Parts

Self Adhesive Decals



NWP-DECAL01 NWP-DECAL06 NWP-DECAL07 NWP-DECAL09

See KILLARK® catalog for additional styles available. Minimums apply.

BOLT-ON EXIT SIGN



Catalog Number NWP-EXIT-SIGN

DESCRIPTION

Bolt-on Exit Sign accessory includes hardware to mount to fixture and ability to make arrows left, right or none. Construction white painted steel and non-glass red diffuser, with bottom opening for downlight.

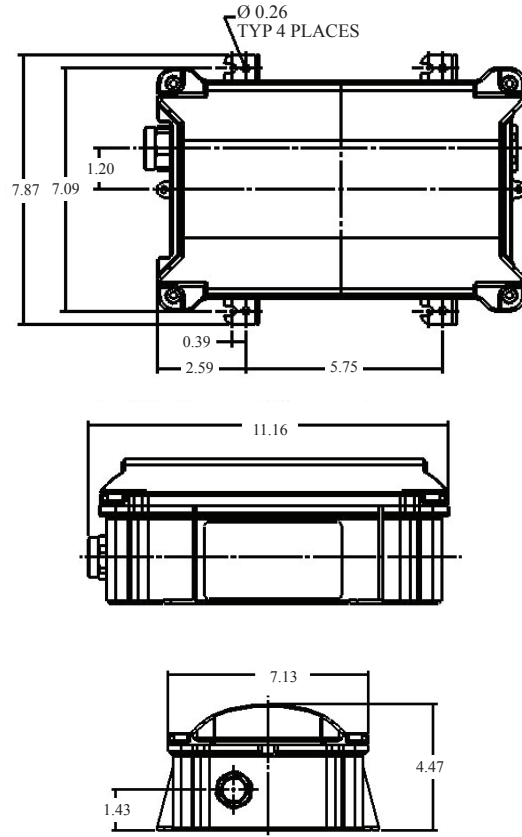
FIELD HUB KITS

Catalog #	Description
NWP-HUBA	Aluminum hub, gasket, locknut
NWP-HUBP	Precoated zinc hub, gasket, locknut
NWP-HUBS	Stainless steel hub, gasket, locknut
NWP-HUBM	M20 Plated Brass

NWP Replacement Parts & Lamps

Catalog #	Description
NWP-LENSONLY	Replacement Lens
NWP-KFBP7	Replacement battery pack
MQL- 13	13W Quad-pin lamp
MQL- 18	18W Quad-pin lamp
MQL- 26	26W Quad-pin lamp

Dimensional Information



KEYHOLE SLOTS PROVIDED FOR EASE IN MOUNTING



KILLARK®

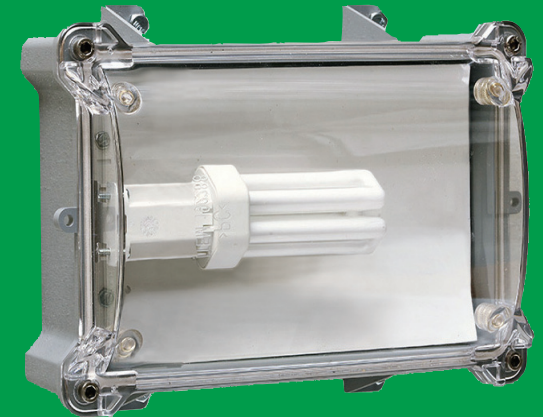
A Division of Hubbell Incorporated (Delaware)



KILLARK®

A Division of Hubbell Incorporated (Delaware)

ENVIORITE® Surface Mount Luminaires



**NWP Series Non-Metallic
13-26W Fluorescent
Emergency Versions Available**

**Wet, Harsh &
Hazardous Locations**

Distributed by:

NWP Series

Non-Metallic - Fluorescent

Class I, Div. 2, Groups A,B,C,D
Class I, Zone 2, Groups IIC, IIB, IIA
Class II, Div. I, Groups F,G; Class III
NEMA 4X, IP66 Rated

c Ⓢ_{US} to the following standards:

- UL 1598 Standard for luminaires
- UL 844 Standard for lighting fixtures for hazardous locations
- CSA C22.2 no. 137-M1981 electric luminaires for use in hazardous locations
- Enclosed and gasketed
- NEMA 3, 4X IP66

ENVIRORITE®

Surface Mount Luminaires

Applications

Killark's NWP Series of fluorescent luminaires are designed for task lighting of wet & corrosive NEMA 4X environments and hazardous locations.

Typical uses include manufacturing plants, chemical and petrochemical processing facilities, sewage treatment plants, off-shore and dockside installations, agricultural, commercial, industrial, and mining facilities.

Features

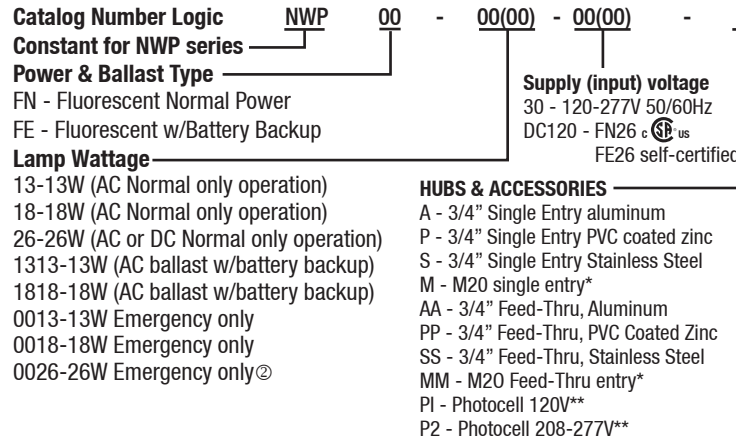
- Non-metallic housing has a lightweight yet robust low profile construction
- Can be wall mounted or ceiling mounted in horizontal or vertical position
- Energy and labor saving fluorescent
- Emergency and normal power models available.
- Emergency version has internal battery which provides 90 minutes of illumination in the event of a power failure
- Resists corrosive effects of most chemicals, hydrocarbons and solvents
- Designed for indoor and outdoor applications
- Includes fluorescent lamp
- 'World Voltage' ballasts for 120VAC through 277VAC 50/60Hz installations
- Wiring terminals are included as standard

Materials

- Enclosure – High strength polycarbonate
- Gasket – Silicone
- External Hardware – Stainless steel
- Lens – Lexan®*
- Entry – One 3/4" NPT copper-free aluminum hub with 3/4 x 1/2" reducer is standard. A second hub may be purchased separately.

*Lexan® is a registered trademark of General Electric

NWP Surface mount luminaires contain no exposed glass and carry Class II F&G ratings required for many food processing areas.



NOTES:

* Certification pending.

** Photocells for FN Models only - Class I, Div. 2 NEMA 4X only.

NWP Wallpack 13-26W Fluorescent w/one 3/4" Aluminum Hub				
Lamp	Voltage	Description	Cat. Number①	Max. Ambient Suitability③
Normal Power Models - Ambient Suitability 40°C Max.				
1-13W	120-277V 50/60Hz	13W Wall or Ceiling	NWPFN1330A	40°C
1-18W	120-277V 50/60Hz	18W Wall or Ceiling	NWPFN1830A	40°C
1-26W	120-277V 50/60Hz	26W Wall or Ceiling	NWPFN2630A	40°C
1-26W	120V DC	26W Wall or Ceiling	NWPFN26DC120A	40°C
Normal and EMERGENCY Models				
1-13W	120-277V 50/60Hz	13W Wall or Ceiling	NWPFE131330A	35°C
1-18W	120-277V 50/60Hz	18W Wall or Ceiling	NWPFE181830A	30°C
EMERGENCY ONLY Models - Ambient Suitability 40°C Max.				
1-13W	120-277V 50/60Hz	13W Wall or Ceiling	NWPFE001330A	40°C
1-18W	120-277V 50/60Hz	18W Wall or Ceiling	NWPFE001830A	40°C
1-26W	120-277V 50/60Hz	26W Wall or Ceiling	NWPFE002630A	40°C
1-26W	120V DC②	26W Wall or Ceiling	NWPFE0026DC120A	40°C

① Provided with one 3/4" aluminum hub as standard.

② NWPFN 120V DC model is c Ⓢ_{US}; NWPFE 120V DC emergency-only model is Killark self-certified.

③ T-code ,measurements taken in 40°C ambient; operating ambient reduced for normal and emergency models to maintain battery performance.



WALL MOUNTED



CEILING MOUNTED



**EXIT SIGN
NWP-DECALOS**

**Dimensional Information
on back panel**



KILLARK®

A Division of Hubbell Incorporated (Delaware)